

SERIES L1B and L1D LADDERS



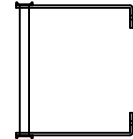
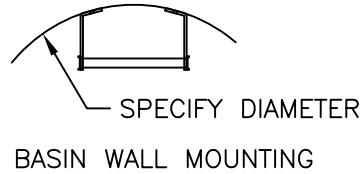
www.HallidayProducts.com
 Phone 800-298-1027
 Fax 407-298-4534
 Sales@HallidayProducts.com

STANDARD FEATURES:

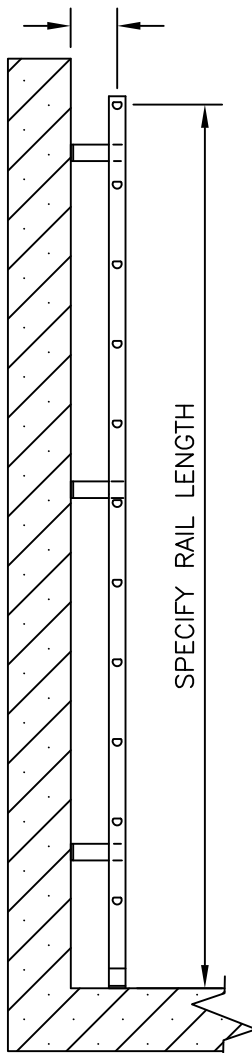
- ALL ALUMINUM WELDED CONSTRUCTION
- 1 3/8 DIA. TYPE "D" RUNG WITH FLATE SLIP RESISTANT RIBBED RUNG DESIGN
- CUSTOM FIT WALL MOUNTED STANDOFFS
- FLOOR AND WALL OR WALL-ONLY MOUNTING (SPECIFY)
- FLAT OR ROUND WALL MOUNTING (SPECIFY)
- AVAILABLE IN WELDED STAINLESS STEEL CONSTRUCTION
- 3 YEAR GUARANTEE

REQUIRED INFORMATION:

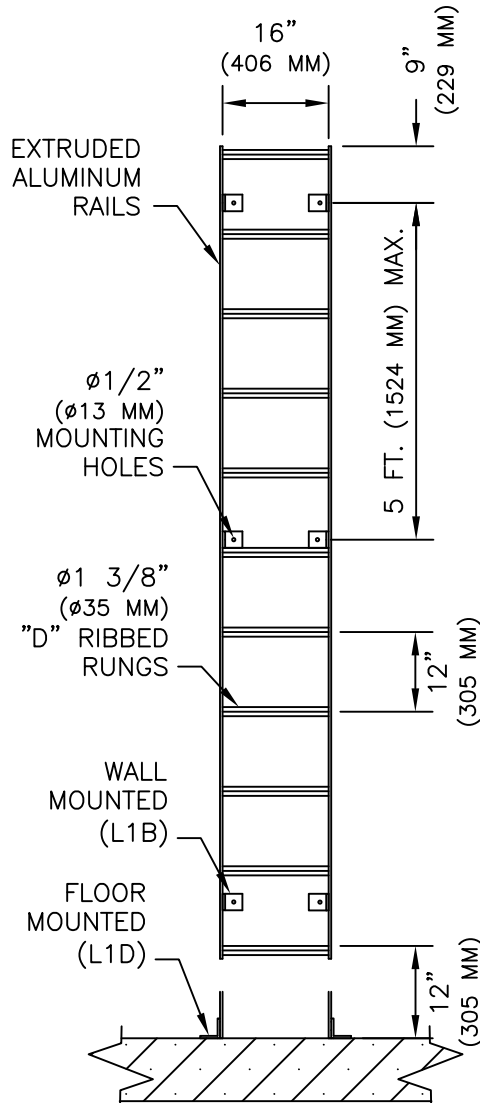
- BASIN DIAMETER OR FLAT WALL
- RAIL LENGTH IN FEET
- STANDOFF LENGTH (7" [178 MM] MIN.)
- L1B OR L1D MOUNTING



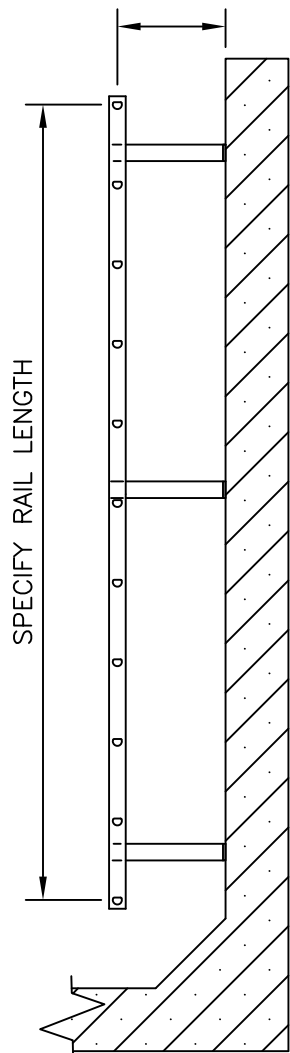
STANDOFF
 (7" [178 MM] MIN.)
 (ADVISE)



L1D (FLOOR AND WALL MOUNT)



STANDOFF
 (7" [178 MM] MIN.)
 (ADVISE)



L1B (WALL MOUNT)