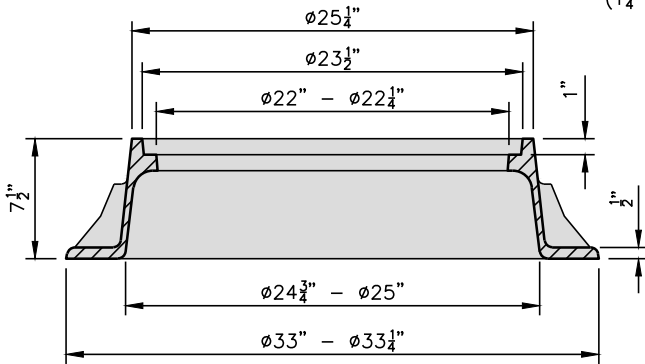
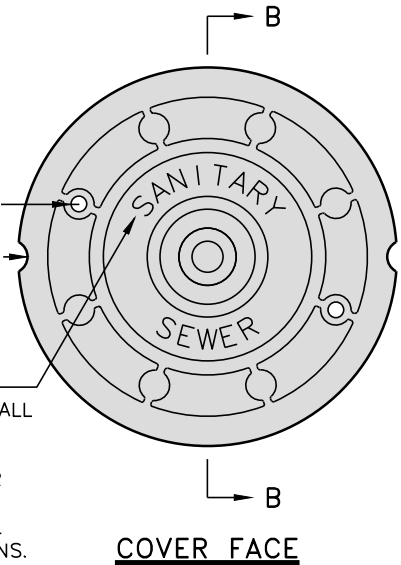


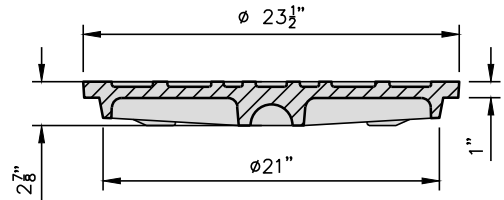
(4) $\phi 1"$ ANCHOR BOLT HOLES ON $29\frac{3}{4}"$ CIRCLE.

(2) $\phi 1"$ VENT HOLES
(2) OPEN PICKHOLES

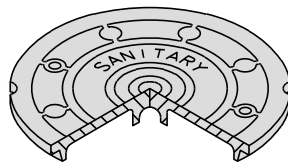
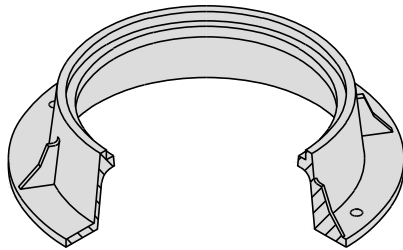
COVER TO READ:
 - "SANITARY SEWER" FOR ALL SEWER AND FORCE MAIN APPLICATIONS.
 - "WATER" FOR ALL WATER APPLICATIONS.
 - "STORM SEWER" FOR ALL STORM WATER APPLICATIONS.
 ($1\frac{1}{4}"$ SHARP FACE GOTHIC)



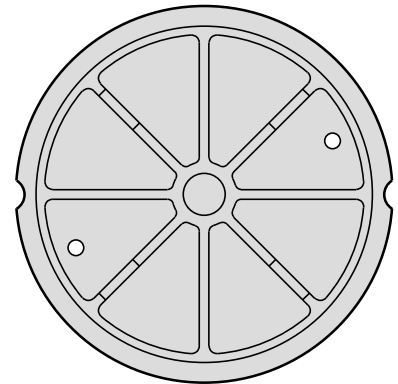
FRAME SECTION A-A



COVER SECTION B-B



ISOMETRICS



COVER BACK

APPROVED MODELS	VULCAN V-1384	US FOUNDRY USF-669	CAPITAL FOUNDRY
COVER WEIGHT	135 LBS.	125 LBS.	120 LBS.
FRAME WEIGHT	180 LBS.	190 LBS.	190 LBS.
LOAD RATING	HEAVY DUTY	HEAVY DUTY	HEAVY DUTY
MATERIAL	ASTM A 48	ASTM A 48	ASTM A 48
MATERIAL	CLASS 30	CLASS 30	CLASS 30
FINISH	UNCOATED	UNCOATED	UNCOATED



TITLE: STANDARD MANHOLE FRAME & COVER

PO BOX 1436
 900 S. BECKFORD DRIVE
 HENDERSON, NC 27536

CITY OF HENDERSON

252-430-5728
 (fax) 252-431-0124
 www.ci.henderson.nc.us

REV DATE: 8/10/15
 DWG NO: SS.002
 SCALE: NTS
 SHEET #: 1 OF 1