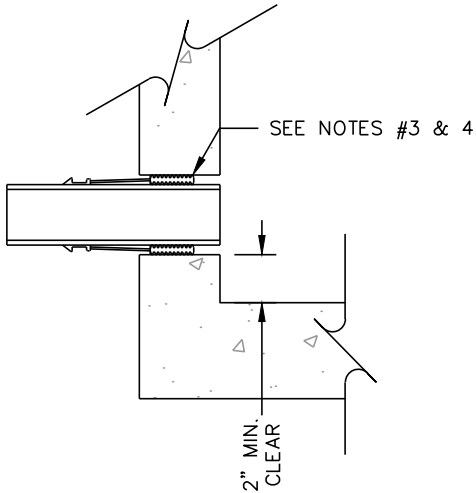


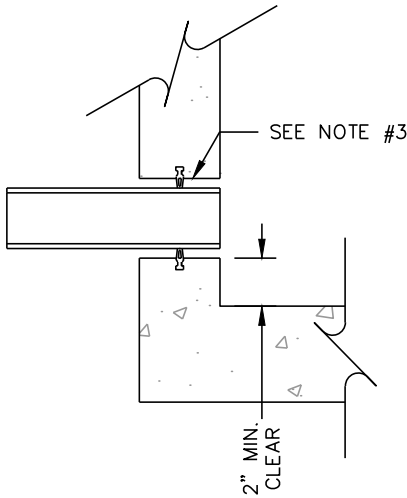
BOOT TYPE-FLEXIBLE CONNECTION



NOTES:

1. PIPE CONNECTION DETAIL USED SHALL BE CONSISTENT WITH THE SPECIFIC JOB REQUIREMENTS AS WELL AS THE PIPE SIZE, TYPE AND STRUCTURE BEING USED.
2. FLEXIBLE CONNECTORS SHALL MEET THE REQUIREMENTS OF ASTM C923 FOR RESILIENT CONNECTORS BETWEEN REINFORCED CONCRETE MAHOLE STRUCTURES, PIPES AND LATERALS.
3. STAINLESS STEEL COMPRESSION RINGS. SEE LITERATURE.
4. MANUFACTURER'S LITERATURE AVAILABLE UPON REQUEST.

COMPRESSION GASKET-FLEXIBLE CONNECTION



NOTES:

1. PIPE CONNECTION DETAIL USED SHALL BE CONSISTENT WITH THE SPECIFIC JOB REQUIREMENTS AS WELL AS THE PIPE SIZE, TYPE AND STRUCTURE BEING USED.
2. FLEXIBLE CONNECTORS SHALL MEET THE REQUIREMENTS OF ASTM C923 FOR RESILIENT CONNECTORS BETWEEN REINFORCED CONCRETE MAHOLE STRUCTURES, PIPES AND LATERALS.
3. MANUFACTURER'S LITERATURE AVAILABLE UPON REQUEST.



TITLE:

MANHOLE CONNECTIONS

REV DATE:

9/24/12

DWG NO:

SS.005

PO BOX 1436
900 S. BECKFORD DRIVE
HENDERSON, NC 27536

CITY OF HENDERSON

252-430-5728
(fax) 252-431-0124
www.ci.henderson.nc.us

SCALE:

NTS

SHEET #:

1 OF 1