

TITLE: **STANDARD FIRE HYDRANT (CURB & GUTTER WITH SIDEWALK)**

PO BOX 1436
900 S. BECKFORD DRIVE
HENDERSON, NC 27536

CITY OF HENDERSON

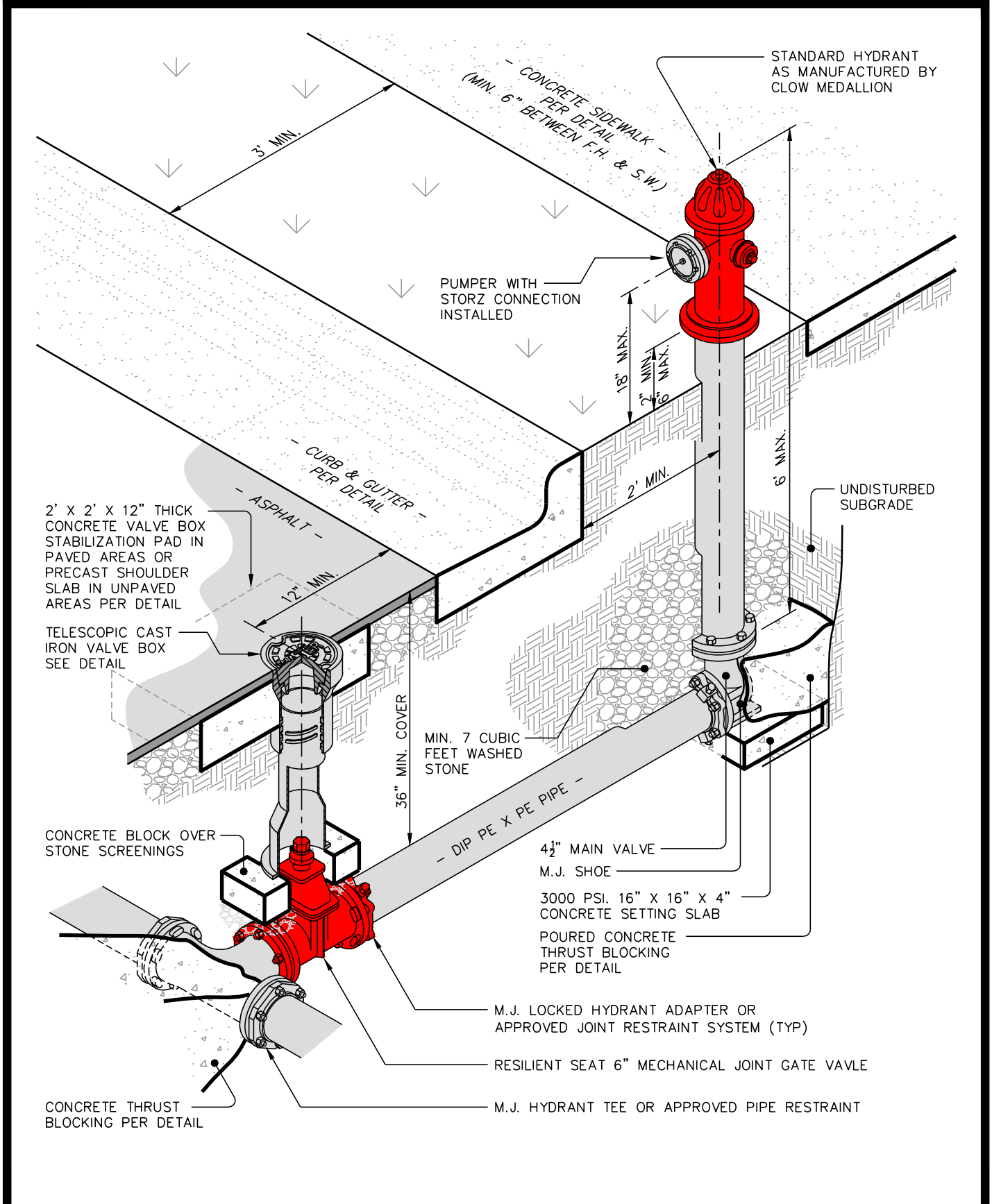
252-430-5728
(fax) 252-431-0124
www.ci.henderson.nc.us

REV DATE: 7/30/15

SCALE: NTS

DWG NO: W.008

SHEET #: 1 OF 4



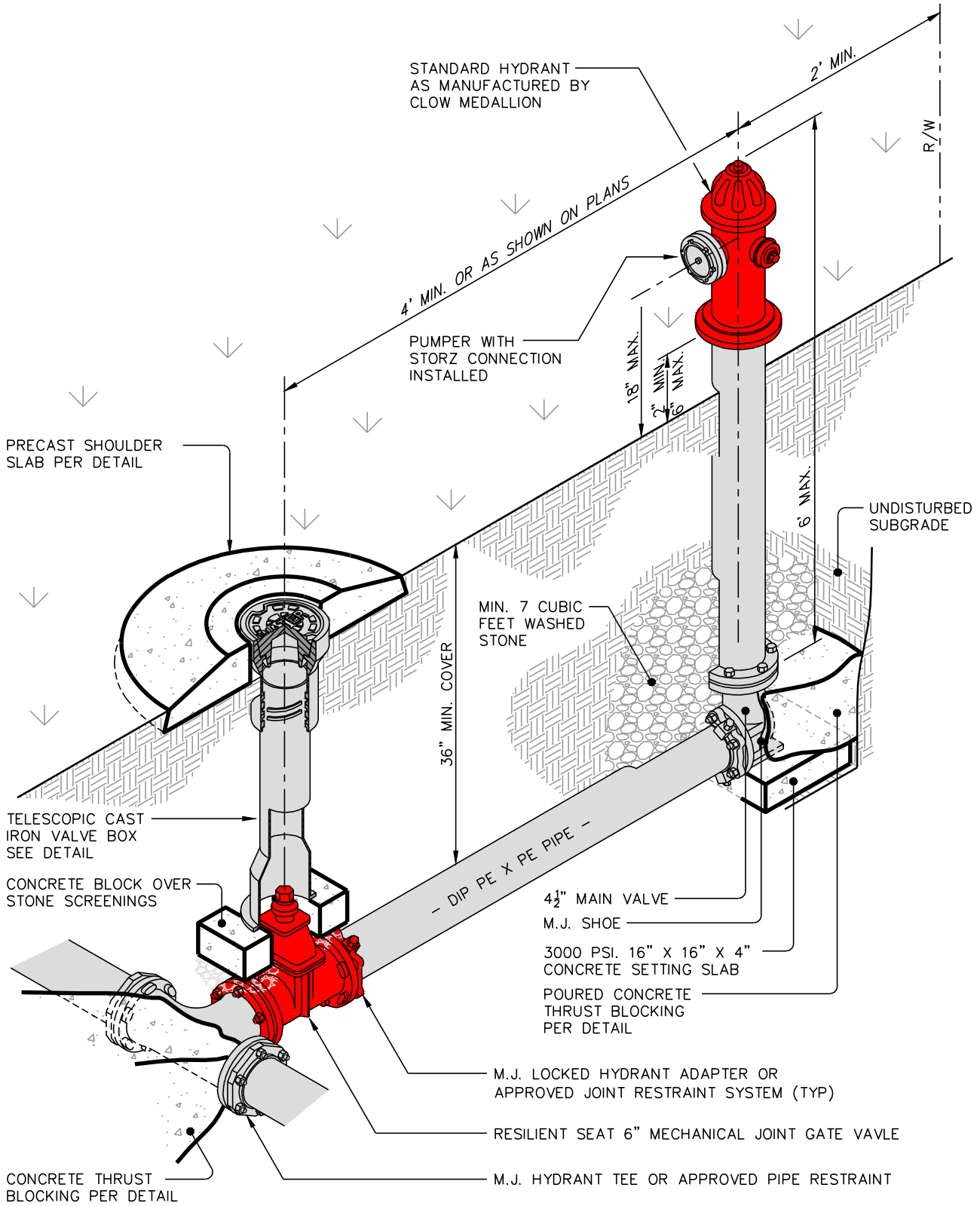
TITLE: **STANDARD FIRE HYDRANT (ALTERNATE CURB & GUTTER WITH SIDEWALK)**

PO BOX 1436
900 S. BECKFORD DRIVE
HENDERSON, NC 27536

CITY OF HENDERSON

252-430-5728
(fax) 252-431-0124
www.ci.henderson.nc.us

REV DATE:	DWG NO:
7/30/15	W.008
SCALE:	SHEET #:
NTS	2 OF 4



TITLE:
**STANDARD FIRE HYDRANT
 (NON-PAVED AREAS)**
 PO BOX 1436
 900 S. BECKFORD DRIVE
 HENDERSON, NC 27536

CITY OF HENDERSON

252-430-5728
 (fax) 252-431-0124
 www.ci.henderson.nc.us

REV DATE:
 7/30/15
 SCALE:
 NTS

DWG NO:
 W.008
 SHEET #:
 3 OF 4

NOTES:

1. HYDRANTS TO BE PLACED WITH PUMPER NOZZLE FACING STREET OR AS OTHERWISE DIRECTED BY THE CITY.
2. WHEN HYDRANT IS SET BEHIND GUARDRAIL, CENTERLINE OF PUMPER NOZZLE TO BE A MINIMUM OF 12" AND A MAXIMUM OF 18" ABOVE THE TOP OF GUARDRAIL. CENTER OF HYDRANT TO BE A MINIMUM OF 3' FROM GUARDRAIL.
3. HYDRANT TO BE OILED AND GREASED AND CAP TO BE SPRAYED (NON-PETROLEUM BASED) AFTER INSTALLATION.
4. DO NOT LOCATE HYDRANTS IN SIDEWALKS OR BLOCK PEDESTRIAN FLOW.
5. NO UTILITY POLES SHALL BE LOCATED WITHIN A MINIMUM OF 3' RADIUS OF THE HYDRANT.
6. CITY IS TO VERIFY UNDERGROUND WORK PRIOR TO BACKFILL.
7. HYDRANT TO BE PAINTED WITH INDUSTRIAL RED (SHERWIN WILLIAMS OR APPROVED EQUAL) OR AS DIRECTED BY FIRE DEPARTMENT.
8. VALVE BOX SHALL NOT BE INSTALLED IN CURB AND GUTTER.



TITLE:	STANDARD FIRE HYDRANT (NOTES)	REV DATE: 7/30/15	DWG NO: W.008
PO BOX 1436 900 S. BECKFORD DRIVE HENDERSON, NC 27536	CITY OF HENDERSON	252-430-5728 (fax) 252-431-0124 www.ci.henderson.nc.us	SCALE: NTS SHEET #: 4 OF 4